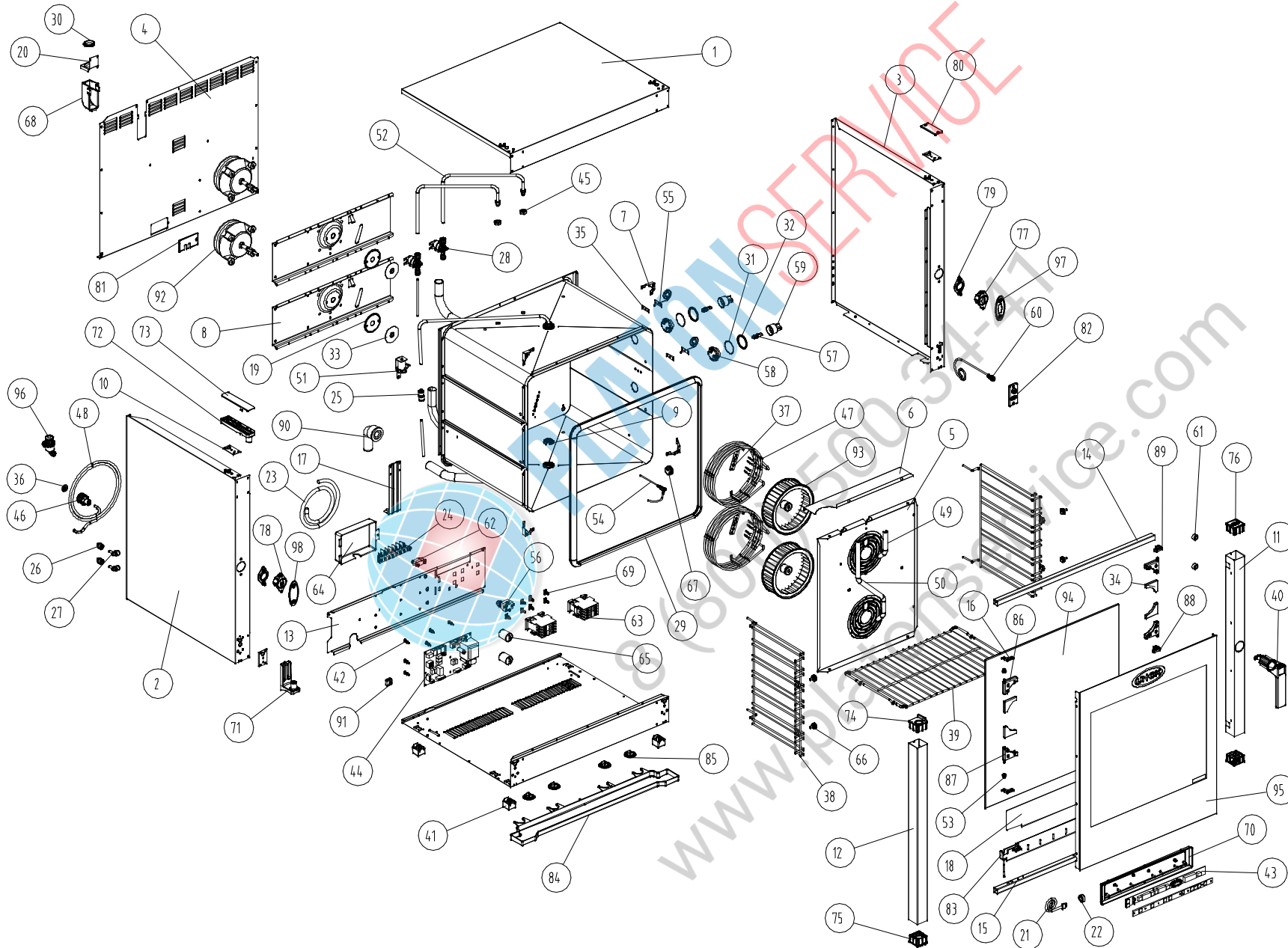


# MOD: XVC504

## EXPLODED VIEW DISEGNO ESPLOSO



### LEGEND - LEGENDA

1	OD1445A0	56	TR255B
2	OD1455B0	57	VE1005A2
3	OD1456B0	58	VT1195A0
4	OF1165B0	59	VE1015A1
5	OG1175A0	60	VE1020A1
6	OG1190A0	61	VE1030A1
7	OH1450A0	62	VE1075A0
8	OH2005A2	63	VE1095A0
9	OH2550A0	64	VE1100A0
10	OH2560A0	65	VE221
11	OH2570A0	66	V11035A1
12	OH2571A0	67	V11515A1
13	OH2595B0	68	VM1065A0
14	OH2611A1	69	VM1075A1
15	OH2612A1	71	VM1160A1
16	OH2650A0	72	VM1165A1
17	OH2730A0	73	VM1166A0
18	OH2735A1	74	VM1170B0
19	OH3020A0	75	VM1171B0
20	OH3040A0	76	VM1175A0
21	CE1310A1	77	VM1190A1
22	CE1285A0	78	VM1191A1
23	CE1355A1	79	VM1192A0
24	CE212	80	VM1195A0
25	EL1055A0	82	VM1201A1
26	EL1185A0	83	VM1206B0
27	EL1195A0	84	VM1216B0
28	EL1250A0	85	VM1220A0
29	GN1000B0	86	VM1230A0
30	GN1045A0	87	VM1231A0
31	GN1055A0	88	VM1235A0
32	GN1065A1	89	VM1236A0
33	GN1140A1	90	VM1260A0
34	GN1180A0	91	VM250
35	GN1285A0	92	VN1000B0
36	GN1200A0	93	VN1025A2
37	GN224	94	VT1100A0
38	GRL1065A1	95	VT1101A1
39	GRP805	96	EL1375A0
40	VM1180A0	97	VM1460A0
41	PD1001A0	98	VM1461A0
42	PE102		
43	PE1610A2		
44	PE1365C2		
45	RC1170A1		
46	RC1210A1		
47	RS1150A0		
48	TB008		
49	TB1050A0		
50	TB1055A0		
51	VE1135A0		
52	TB1515A0		
53	TF1010A0		
54	TR1041A2		
55	TR1095A0		

# MOD: XVC504

# EXPLODED VIEW DISEGNO ESPLOSO



## DESCRIZIONE CODICI

1	OD1445A0	COPERCHIO INOX XVC304/504/704
2	OD1455B0	FIANCO SX INOX XVC504
3	OD1456B0	FIANCO DX INOX XVC504
4	OF1165B0	SCHIENA INOX XVC504
5	OG1175A0	CARTER ARIA INOX XVC504
6	OG1190A0	DIVISORIO CARTER ARIA INOX XVC304/504/7
7	OH1450A0	ANGOLO FACCIATA MUFFOLA INOX XB-XV-XG
8	OH2005A2	PROFILO SOSTEGNO MOTORE XB603/803
9	OH2550A0	TAPPO PER TUBO DI SCARICO INOX C.T.
10	OH2560A0	CONTROSTAFFA ZINCATA PORTA C.T.
11	OH2570A0	COLONNINA LATERALE DX INOX PORTA XVC504
12	OH2571A0	COLONNINA LATERALE SX INOX PORTA XVC504
13	OH2595B0	PROFILO PORTA COMP. INOX XVC304/504/704
14	OH2611A1	LISTELLO QUADRO SUP PORTA INOX
15	OH2612A1	LISTELLO QUADRO INF PORTA INOX
16	OH2650A0	CERNIERA INOX VETRO INTERNO XVC204/304/
17	OH2730A0	STAFFA ZINCATA SOSTEGNO MUFFOLA
18	OH2735A1	PROFILO INOX PARACALORE CRUSCOTTO
19	OH3020A0	DISCO TENUTA ALBERO MOTORE INOX
20	OH3040A0	PROFILO COPRICAMMINO INOX C.T.
21	CE1310A1	CAVO COLLEGAMENTO POTENZA CONTROLLO
22	CE1285A0	FERRITE EMI ROUND MOD. 2643801502
23	CE1355A1	CAVO 5X2,5MMQ HO7RNF-F L=1,5MT
24	CE212	MORSETT. 5FK/7FTW GV VO 00160593
25	EL1055A0	RIDUZIONE J.G. DA D=10 A D=8 PM2201008E
26	EL1185A0	RACCORDO A GOMITO J.GUEST Ø8 - Ø8
27	EL1195A0	RACCORDO A GOMITO CON J.GUEST
28	EL1250A0	ELETTROVALVOLA H2O 1 VIA RID.
29	GN1000B0	GUARNIZIONE NERA 50 SHORE FORNI XB-XG-XV
30	GN1045A0	GUARN.ANTIVIBR. CAMMINO-SCARICO
31	GN1055A0	OR 46x2 VMQ 70 ROSSO
32	GN1065A1	GUARNIZIONE PORTALAMPADA DE=53.2
33	GN1140A1	GUARNIZIONE PORTAMOTORE STAMP.
34	GN1180A0	GUARNIZIONE CERNIERE VETRO INT.
35	GN1285A0	GUARNIZIONE SONDA DI TEMPERATURA NTC
36	GN1200A0	GUARNIZIONE D=24 RACCORDO 3/4 GOMMA+RETE
37	GN224	GUARN.PTFE+CARB 100x22x0,8sp-c/fori 1999
38	GRL1065A1	GRIGLIA LAT. DX/SX INOX 7 GN1/1 XVC504
39	GRP805	GRIGLIA GN1/1 PIANA INOX BRILLANTATA
40	VM1180A0	IMPUGNATURA MANIGLIA XVC204/304/504/704
41	PD1001A0	PIEDINO 35X35 H26 PLASTICA+GOMMA GRIGIO
42	PE102	SUPPORTO PER SCHEDA 24POT98
43	PE1610A2	ASSIEME SCHEDA CONTR. PE1355D2
44	PE1365C2	SCHEDA POTENZA FORNI COMBINATI
45	RC1170A1	DADO M14 H=8 CH=22 INOX
46	RC1210A1	RACCORDO 3/4 VALVOLA DI NON RITORNO
47	RS1150A0	RESISTENZA CIRC. D=230 5 SPIRE
48	TB008	TUBO PE 7,93x4,75 TRASPARENTE
49	TB1050A0	TUBO INTERNO UMIDITA D=16 SP=1
50	TB1055A0	TUBO INTERNO UMIDITA DX D=16 SP=1
51	VE1135A0	ATTUATORE VENTURI 220V 50/60 Hz SERIE 2
52	TB1515A0	TUBO ESTERNO UMIDITA + RACCORDO
53	TF1010A0	BOCCOLA TEFLON CERNIERA VETRO
54	TR1041A2	SONDA AL CUORE STAMPATA L=2000
55	TR1095A0	SONDA TEMPERATURA NTC 150 L=1050

56	TR255B	TERMOSTATO SIC.+UNIPOL 330°C Ty95H
57	VE1005A2	LAMPADA HALOPIN ES H66733ES 33W
58	VT1195A0	VETRO COPRILAMPADA BOROSILICATO TEMPRATO
59	VE1015A1	PORTA LAMPADA SERIE 2 PER LAMPADA
60	VE1020A1	MICROINTERRUTTORE PORTA MAGNETICO
61	VE1030A1	CALAMITA D=22,9mm PER MICROPORTA
62	VE1075A0	PRESSACAVO FV 268 RO+VITI FISSAGGIO
63	VE1095A0	TELERUTTORE GE 25A 230V 50/60
64	VE1100A0	SCATOLA COPRI MORSETTIERA NYLON XBT/XVT
65	VE221	CONDENS.ICAR PRL 5uf 450V FASTON
66	VII035A1	NOTTOINO M6x12,5 CON TAGLIO OTT.CROM.FE
67	VII515A1	SUPPORTO SONDA AL CUORE CON CAVA
68	VM1065A0	CUFFIA COPRI CAMMINO FUMI L.M.
69	VM1075A1	CLIP DI FISSAGGIO PER TELERUTTORI
71	VM1160A1	STAFFA INF. PORTA XVC204/304/504/704
72	VM1165A1	STAFFA SUP. PORTA XVC204/304/504/704
73	VM1166A0	COPERCHIO STAFFA SUPERIORE PORTA
74	VM1170B0	TAPPO FULCRO SUP. PORTA XVC204/304/504/7
75	VM1171B0	TAPPO FULCRO INF. PORTA XVC204/304/504/7
76	VM1175A0	TAPPO ESTETICO COLONNINA PORTA
77	VM1190A1	SCROCCO MANIGLIA SX XVC204/304/504/704
78	VM1191A1	SCROCCO MANIGLIA SX XVC204/304/504/704
79	VM1192A0	COPERCHIO SCROCCO MANIGLIA XVC204/304/5
80	VM1195A0	PIASTRINA COPRIFORI XVC204/304/504/704
82	VM1201A1	PROFILO SALVAGOCIA PORTA XVC304/504/704
83	VM1206B0	CASSETTO RACCOGLIUGOCCE XVC104/304/504/7
84	VM1216B0	CLIP FISSAGGIO CASSETTO RACCOGLIUGOCCE
85	VM1220A0	CERNIERA SUP. ALLUMINIO VETRO
86	VM1230A0	CERNIERA INF. ALLUMINIO VETRO
87	VM1231A0	CERNIERA INF. ALLUMINIO VETRO
88	VM1235A0	FERMA VETRO INTERNO SUP. XVC204/304/504
89	VM1236A0	FERMA VETRO INTERNO INF. XVC204/304/504
90	VM1260A0	CURVA A 90° RACCORDO SCARICO
91	VM250	MORSETT.A.PETTINE
92	VN1000B0	MOTORE COND.5uf 200W ALB.M8 CONN.5 POLI
93	VN1025A2	VENTOLA D=196 H=61 38 PALE INOX DADO M8
94	VT1100A0	VETRO INTERNO 633x620x6 BETFL XVC504
95	VT1101A1	VETRO ESTERNO SER. 647X743X4 CTFI XVC504
96	EL1375A0	FILTRO ACQUA Ø8 MESH100
97	VM1460A0	COPERCHIO DX SCROCCO PORTA CHEFTOP
98	VM1461A0	COPERCHIO SX SCROCCO PORTA CHEFTOP

## DESCRIPTION

1	OD1445A0	STAINLESS STEEL COVER XVC304/504/704
2	OD1455B0	STAINLESS STEEL LEFT SIDE PANEL XVC504
3	OD1456B0	STAINLESS STEEL RIGHT SIDE PANEL XVC504
4	OF1165B0	STAINLESS STEEL BACK PANEL XVC504
5	OG1175A0	STAINLESS STEEL FAN GUARD XVC504
6	OG1190A0	STAINLESS STEEL FAN GUARD PARTITION
7	OH1450A0	STAINLESS STEEL MUFFLE FRONT FACE
8	OH2005A2	MOTOR SUPPORT PROFILE XB603/803
9	OH2550A0	STAINLESS STEEL COVER FOR DRAIN
10	OH2560A0	ZINC PLATED DOOR COUNTERSTIRRUP C.T.
11	OH2570A0	STAINLESS STEEL RIGHT DOOR COLUMN XVC504
12	OH2571A0	STAINLESS STEEL LEFT DOOR COLUMN XVC504
13	OH2595B0	STAINLESS STEEL COMPONENTS HOLDER
14	OH2611A1	CLIP DI FISSAGGIO PER UPPER SQUARE
15	OH2612A1	STAINLESS STEEL DOOR LOWER SQUARE
16	OH2650A0	STAINLESS STEEL INTERNAL GLASS
17	OH2730A0	ZINC PLATED MUFFLE SUPPORT BRACKET
18	OH2735A1	STAINLESS STEEL HEAT-GUARD FOR
19	OH3020A0	STAINLESS STEEL SEALING DISC FOR MOTOR
20	OH3040A0	STAINLESS STEEL PLATE FOR CHIMNEY
21	CE1310A1	EMI ROUND FERRITE MOD.2643801502
22	CE1285A0	EMI ROUND FERRITE MOD.2643801502
23	CE1355A1	CABLE 5 X 2,5 MMQ HO7RNF L = 1,5 MT
24	CE212	TERMINAL BOARD 5FK/7FTW GV VO 00160593
25	EL1055A0	STRAIGHT REDUCTION FROM D=10 TO
26	EL1185A0	ELBOW CONNECTION J. GUEST Ø8 - Ø8
27	EL1195A0	ELBOW UNION WITH J.GUEST TERMINAL
28	EL1250A0	WATER SOLENOID VALVE 1-WAY RED.
29	GN1000B0	BLACK DOOR SEAL 50 SHORE OWENS XB-XG-XV
30	GN1045A0	ANTIVIBR.SEAL FOR EXHAUST CHIMNEY
31	GN1055A0	OR 46x2 VMQ 70 RED
32	GN1065A1	SEAL FOR LAMP GLASS COVER IPURE
33	GN1140A1	INTERNAL GLASS HINGE CARBOGRAPHITE
34	GN1180A0	INTERNAL GLASS HINGE CARBOGRAPHITE
35	GN1285A0	3/4 CONNECTION SEAL D=24 RUBBER+NET
36	GN1200A0	PTFE+CARB 100x22x0,8sp-w/holes
37	GN224	PTFE+CARB 100x22x0,8sp-w/holes
38	GRL1065A1	RIGHT/LEFT STAIN. STEEL LAT.GRID 7 GN1/1
39	GRP805	GRID GN1/1 FLAT STAINLESS STEEL POLISHED
40	VM1180A0	HANDLE HAFT XVC204/304/504/704
41	PD1001A0	FOOT 35X35 H26 GREY PLASTIC+RUBBER
42	PE102	SUPPORT FOR CAIRD 24POT98
43	PE1610A2	CONTROL BOARD PE1355 + BOARD COVER
44	PE1365C2	CONTROL BOARD PE1355 + BOARD COVER
45	RC1170A1	STAINLESS STEEL NUT M14 H=8 CH=22
46	RC1210A1	Ø8 J.GUEST 3/4 FEMALE CONNECTION WITH FI
47	RS1150A0	CIRC.HEAT. ELEMENT D=230 5 TURNS
48	TB008	TRANSPARENT TUBE PE 7,93x4,75
49	TB1050A0	STAINLESS STEEL INNER WATER TUBE
50	TB1055A0	STAINLESS STEEL INNER RIGHT WATER
51	VE1135A0	VENTURI ACTUATOR 220 V 50/60 Hz SERIES 2
52	TB1515A0	STAINLESS STEEL EXTERNAL WATER
53	TF1010A0	TEFLON BUSHING FOR INTERNAL GLASS
54	TR1041A2	MOLDED CORE PROBE L=2000
55	TR1095A0	TEMPERATURE PROBE NTC 150 L=1050

56	TR255B	SAFETY THERMOSTAT+UNIPOL 330°C
57	VE1005A2	HALOGEN LAMP 33W ENERGY SAVER
58	VT1195A0	VETRO COPRILAMPADA BOROSILICATO TEMPRATO
59	VE1015A1	LAMP HOLDER SERIE 2 FOR HALOGEN LAMP
60	VE1020A1	MAGNET FOR DOOR MICROSWITCH D=22,9mm
61	VE1030A1	CABLE PRESS FV 268 RO
62	VE1075A0	TELERUTTORE GE 25A 230V 50/60
63	VE1095A0	REMOTE CONTROL SWITCH GE 25A 230V
64	VE1100A0	TERMINAL BOARD BLACK NYLON COVER XBT/XVT
65	VE221	ICAR CONDENSER PRL 5uf 450V FASTON
66	VII035A1	CHROMIUM PLATED BRASS NUT M6x12,5
67	VII515A1	STAINLESS STEEL CORE PROBE SUPPORT
68	VM1065A0	PLASTIC COVER FOR FUMES CHIMNEY L.M.
69	VM1075A1	PLASTIC CLIP TO FIX CONTACTORS
71	VM1160A1	XVC204/304/504/704 LOWER DOOR BRACKET
72	VM1165A1	XVC204/304/504/704 UPPER DOOR BRACKET
73	VM1166A0	CAP FOR DOOR UPPER STIRRUP XVC204/304/5
74	VM1170B0	DOOR UPPER FULCRUM-CAP XVC204/304/504/70
75	VM1171B0	XVC204/304/504/70 DOOR LOWER FULCRUM-CAP
76	VM1175A0	DOOR COLUMN BLANKING CAP XVC204/304/504
77	VM1190A1	RIGHT DOOR SPRING LATCH XVC204/304/504/
78	VM1191A1	LEFT DOOR SPRING LATCH XVC204/304/504/7
79	VM1192A0	DOOR SPRING LATCH CAP XVC204/304/504/704
80	VM1195A0	HOLES BLANKING PLATE XVC204/304/504/704
82	VM1201A1	DOOR DROP PRESERVER FORM XVC304/504/704
83	VM1206B0	DRIP TRAY XVC304/504/704
84	VM1216B0	CLIP TO FIX DRIP TRAY C.T.
85	VM1220A0	UPPER ALUMINIUM HINGE FOR INTERNAL
86	VM1230A0	LOWER ALUMINIUM HINGE FOR INTERNAL
87	VM1231A0	UPPER HOOK TO STOP INNER GLASS
88	VM1235A0	LOWER HOOK TO STOP INNER GLASS
89	VM1236A0	90°C CURVED DRAIN PIPE
90	VM1260A0	"COMB" TERMINAL BOARD
91	VM250	MOTOR COND.5uf 200W ALB.M8 CONN.5
92	VN1000B0	FAN D=196 H=61 38 BLADES STAINLESS
93	VN1025A2	INNER GLASS 633X620X6 BETFL XVC504
94	VT1100A0	EXTERNAL SER. GLASS 647X743X4 XVC504
95	EL1375A0	STRAIGHT INTERMEDIATE CONNECTION
97	VM1460A0	TEMPERATURE PROBE NTC 150 L=1050
98	VM1461A0	TEMPERATURE PROBE NTC 150 L=1050